



www.xavis.co.kr



Safe Food



X-RAY Inspection System

XAVIS
X-ray Automatic Vision Inspection System



Introduction

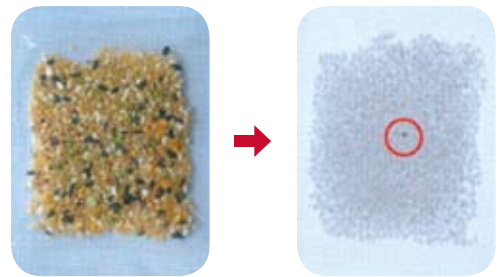
History

- 2002.04** Xavis established
- 2003** Venture Company
- 2004**
 - X-ray CT system released, first manufacturer in Korea
 - Established 3D x-ray R&D center
 - INNO-BIZ Technological Innovation company
- 2005** **Acquisition of CE Certificate**
- 2006**
 - Small and Medium Business TOP Prize (Seong-Nam City)
 - Exportation overseas for food X Ray inspection system (India, Thailand, Netherland, Malaysia and Philippines)
- 2007** Science and Technology Minister Award
- 2008** Obtained the Patents on x-ray Equipment
- 2009** Selected as Star Company in Seong-Nam City
- 2010** Applying for patents on High Speed CT for Chips inspection equipment with other 3 equipments.
Obtained Certification - UL, FDA, FCC
- 2010 ~ 2011** A million dollar of export monument
- 2011.03** Open sales office in Shanghai, China
- 2011.03**
 - Launch to XSCAN-9860 [Full In-Line for Flip Chip Bump]
 - 12th Annual Packaging Machinery Award by Korean Knowledge and Economy minister
- 2011.08** Open branch office in Beijing, China
- 2012.06** Mager export company Award
- 2012.10** Kotra Global Grand Company
- 2013** **Development and launching of auto setting technology for FSCAN food inspection system. (patent registration)**
- 2014**
 - Launching New Models
 - Pearl Size Measure Model
 - Compact Models (L/PHE Series)
 - Wide Inspection Model: FSCAN-9500
 - Fish Bone Detection Model: FSCAN-4280BHR
- 2015**
 - **Sealing Inspection X-ray Machine**
 - X-ray Machine of Dual Energy Detector 2nd Generation (To improve detection accuracy of bone and low density products)
 - **Pipe line X-Ray 2nd Generation**

Inspection Specification



Source pouch : Stainless wire Ø0.28 x 1mm



Mixed grains : Stone, Glass 1.2 x 1.2 x 1.2mm

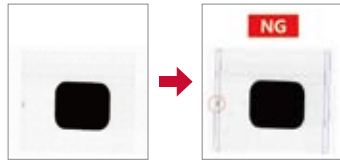


Multi Inspection

Xavis Point

World Class Detection Accuracy!

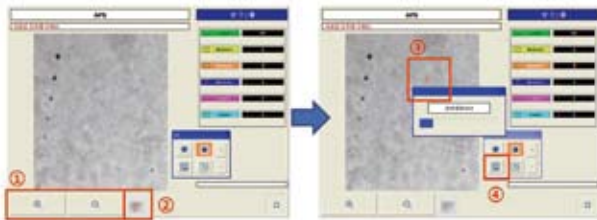
A fragment of the product or contaminant inside the seal area is detectable.



Customizing (=Listen to request)

- One Conveyor In Four Rail
- Multi Input (conveyor & Tube in-line)
- Customizing X-ray Tube
- Various Detector
- Customizing Mask System
- Customizing Algorithm
- Customizing Rejector

Auto Setting – “Smart Learn” “One Touch Algorithm Setting”



X-Ray Report Real Time (Ethernet)

Report to the office by Ethernet



Compact Models - Economical X-Ray



Remote Control - Internet



Windows 7, Spare SSD



Easy Cleaning & Safety



Various Business Opportunity

- Bag Industry (QC)
- Sea Food (Fish & Clam)
- Jewelry Quality Control
- Drink Bottle Quality Control
- One Conveyor & Multi Production Quality Control

Characteristic Inspection Machines

- Fruits
- Wide Inspection Model, FSCAN-9500

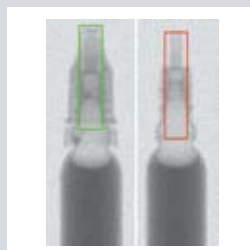
Application Example

		Packaged Line			
Dry	Chain package	Small bags	Instant noodle	Aluminium bag	
	Carton or Box	Kraft bag	Milk powder	Candy bag	
Moisture	Aluminium meal pack	Frozen food	Sausage	Block ham or meat in vacuum pack	
	Milk pack, dressing bottle	Sauce	Dessert	Short cans	
		Non-Food Pro			
	Suit case	Bag	Shoes	Jewelry	

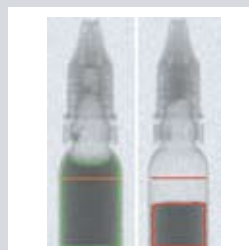
Characteristic Inspection



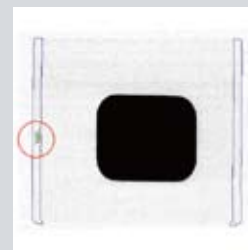
Tooth Brush X-ray



Check Existence Of Cap



















Check Level








Sealing Inspection



Chicken In Plastic Basket

Bulk Line			Liquid (Pipe Line)
<p>Nuts</p> 	<p>Dried fruit</p> 	<p>Cookies</p> 	<p>Jam</p> 
<p>Dumplings</p> 	<p>Bread, Muffin</p> 	<p>Mushroom, Dry vegetables</p> 	<p>Fish meat</p> 
<p>Fresh or Frozen meat</p> 	<p>Frozen patties</p> 	<p>Shell fish</p> 	<p>Sauce</p> 
<p>Frozen fish fillet</p> 	<p>Chicken pieces</p> 	<p>Fruits</p> 	<p>Soft meat</p> 

Production Line				
<p>Pill</p> 	<p>Eye drops</p> 	<p>cosmetic</p> 	<p>Pipe</p> 	<p>Tooth brush</p> 



Bone In Meat/Beef



Can inspection



Inspection Fruit



Damaged Pill Inspection



Pipe Line Inspection

X-RAY Line Up

X-RAY Line Up for Packaging Application

World Class Detection

- ◊ FSCAN-3280
- ◊ FSCAN-4280/4500
- ◊ FSCAN-6280/6500
- ◊ FSCAN-9500



Diffusion Solution

- ◊ FSCAN-3280L
- ◊ FSCAN-4280L/4500L



X-RAY Line Up for Bulk/Unpacked Product Application

For Unpacked product / Fish Bone Detection

- ◊ FSCAN-4280B
- ◊ FSCAN-4280BHR (High Resolution)



For Bulk Flow

- ◊ FSCAN-4280/4500
- ◊ FSCAN-6280/6500



X-RAY Line Up for Pipeline/Can & Bottle Product Application

For Pipeline

- ◊ FSCAN-4500P



For Can & Bottle

- ◊ FSCAN-2080PH/2500PH
- ◊ FSCAN-2080PHE/2500PHE



Dual Energy



Standard



Dual Energy



Sealing Inspection



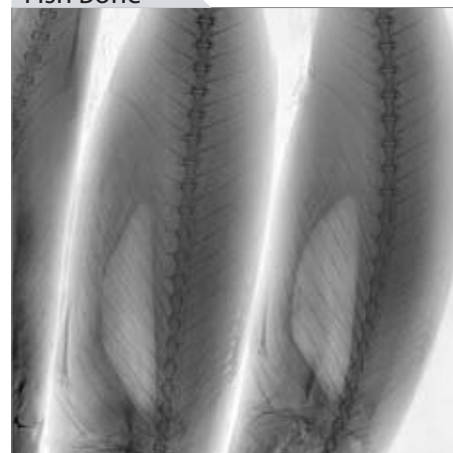
Sealing Inspection



Fish Bone Inspection



Fish Bone



Product Contents

FSCAN-3280V

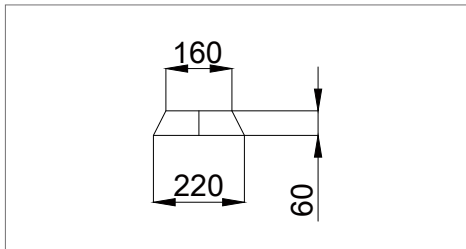


- Sensitivity would be changed depend on inside materials, size and array.
- Operating System : Windows 7
- The height of belt level : 750±50mm (Customization possible)
- The maximum belt speed can be changed. (option)
- Maximum product weight can be changed. (option)
- The air conditional is optional.

Specification

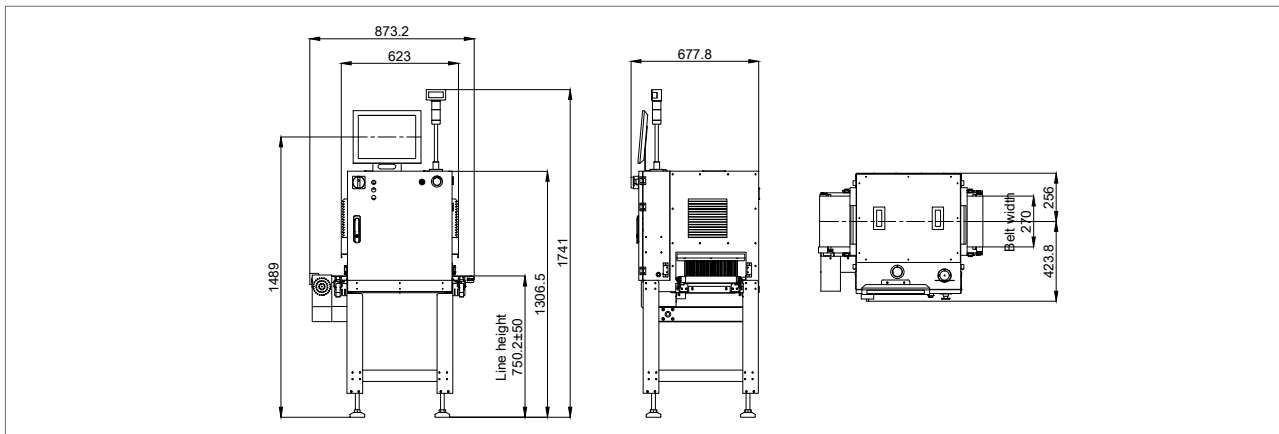
Min. detecting ability	Lead(Pb) 0.3 mm dia
X-ray output	80kV, 1.25mA, 100W
Belt width	270mm
Product size (maximum width)	220mm
Product size (maximum height)	60mm
Belt speed	10 ~ 60M/M
Maximum product weight	2kg
Mass	176kg
Power requirements	AC220V, 50/60Hz, 1.2kVA, 5.5A
Monitor	15" Touch screen
Modification for Bulk type	X

Detection area (unit. mm)



Lay-out

(unit. mm)



Product Contents

FSCAN-3280L

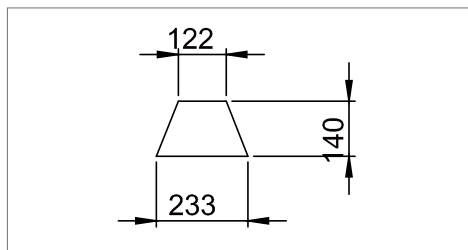


- Sensitivity would be changed depend on inside materials, size and array.
- Operating System : Windows 7
- The height of belt level : 750±50mm (Customization possible)
- The maximum belt speed can be changed. (option)
- Maximum product weight can be changed. (option)

Specification

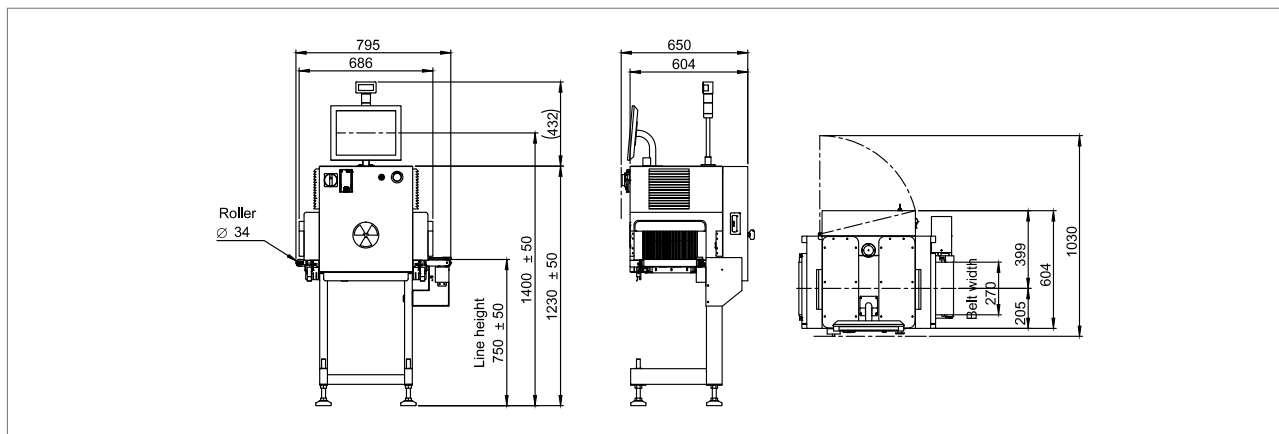
Min. detecting ability	Lead(Pb) 0.3 mm dia
X-ray output	80kV, 1.25mA, 100W
Belt width	270mm
Product size (maximum width)	233mm
Product size (maximum height)	140mm
Belt speed	10 ~ 60M/M
Maximum product weight	5kg
Mass	165kg
Power requirements	AC220V, 50/60Hz, 1.2kVA, 5.5A
Monitor	15" Touch screen
Modification for Bulk type	X

Detection area (unit. mm)



Lay-out

(unit. mm)



Product Contents

FSCAN-4280L / FSCAN-4500L

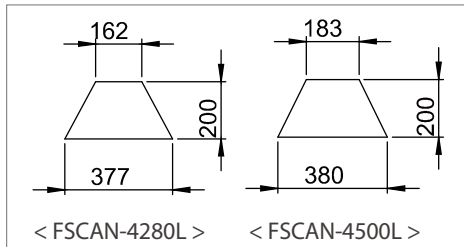


- Sensitivity would be changed depend on inside materials, size and array.
- Operating System : Windows 7
- The height of belt level : 750±50mm (Customization possible)
- The maximum belt speed can be changed. (option)
- Maximum product weight can be changed. (option)

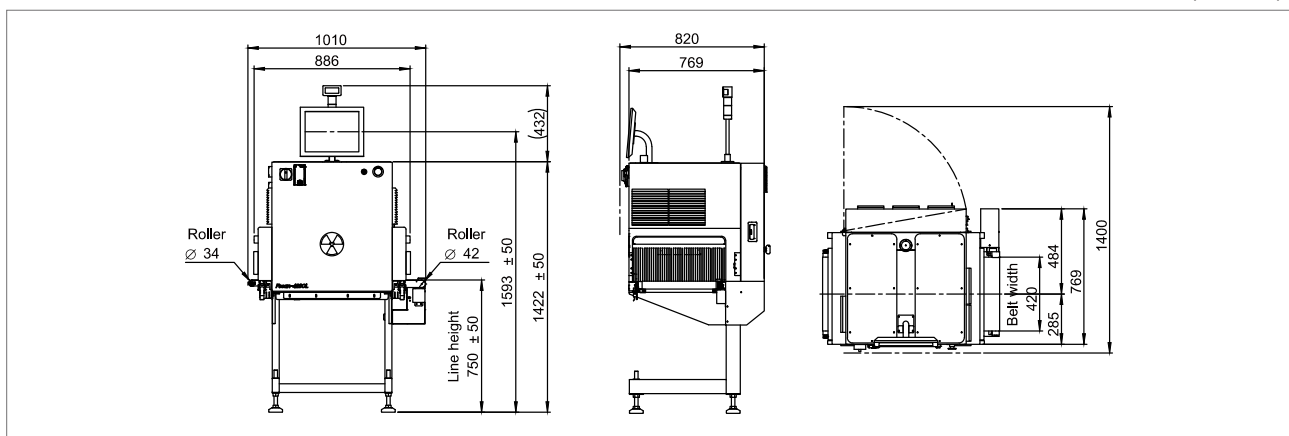
Specification

	FSCAN-4280L	FSCAN-4500L
Min. detecting ability	Lead(Pb) 0.3 mm dia	
X-ray output	80kV, 1.25mA, 100W	120kV, 4.0mA, 480W
Belt width	420mm	
Product size (maximum width)	377mm	380 mm
Product size (maximum height)	200mm	
Belt speed	10 ~ 60M/M	
Maximum product weight	5kg	
Mass	220kg	240kg
Power requirements	AC220V, 50/60Hz, 1.2kVA, 5.5A	AC220V, 50/60Hz, 1.5kVA, 6.8A
Monitor	15" Touch screen	
Modification for Bulk type	X	

Detection area (unit. mm)



Lay-out (unit. mm)



Product Contents

FSCAN-3280 / FSCAN-4280/ Combination Rejector

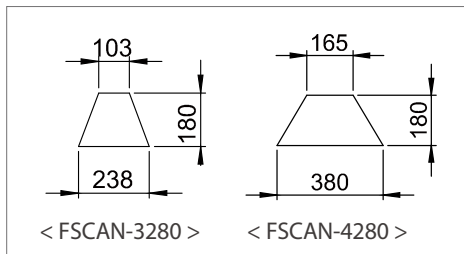


- Sensitivity would be changed depend on inside materials, size and array.
- Operating System : Windows 7
- The height of belt level : 750±50mm (Customization possible)
- The maximum belt speed can be changed. (option)
- Maximum product weight can be changed. (option)
- The air conditional is optional.

Specification

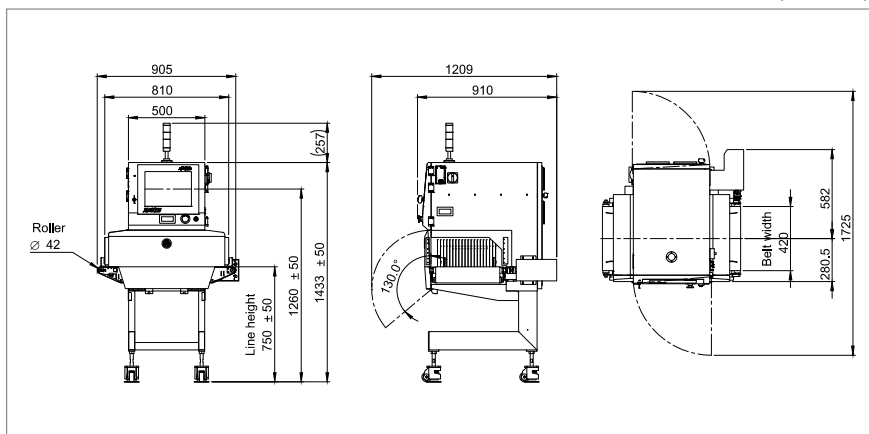
	FSCAN-3280	FSCAN-4280
Min. detecting ability	Lead(Pb) 0.3 mm dia	
X-ray output	80kV, 1.25mA, 100W	
Belt width	420mm	420mm
Product size (maximum width)	238mm	380mm
Product size (maximum height)	180mm	
Belt speed	10 ~ 60M/M	
Maximum product weight	5kg	
Mass	230kg	
Power requirements	AC220V, 50/60Hz, 1.2kVA, 5.5A	
Monitor	15" Touch screen	
Modification for Bulk type	O	

Detection area (unit. mm)

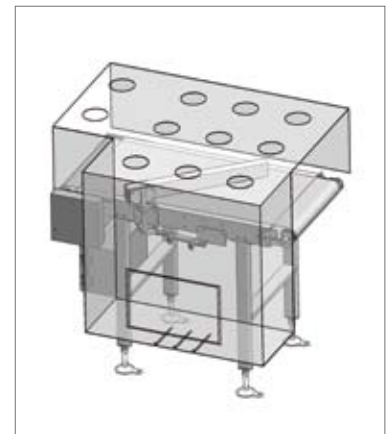


Lay-out (FSCAN-3280/4280)

(unit. mm)



3D Rejector Image



Product Contents

FSCAN-4280(DCEW) : COMBI (X-ray + Checkweigher)

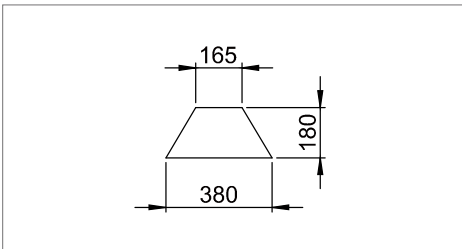


- Sensitivity would be changed depend on inside materials, size and array.
- Operating System : Windows 7
- The height of belt level : 750±50mm (Customization possible)
- The maximum belt speed can be changed. (option)
- Maximum product weight can be changed. (option)
- The air conditional is optional.

Specification

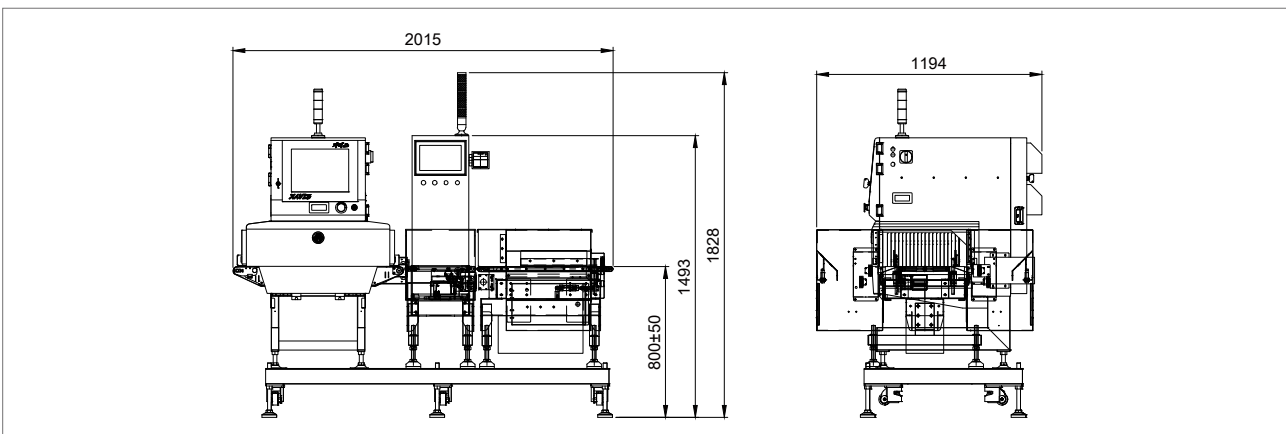
Min. detecting ability	Lead(Pb) 0.3 mm dia
X-ray output	80kV, 1.25mA, 100W
Belt width	420mm
Product size (maximum width)	380mm
Product size (maximum height)	180mm
Belt speed	10 ~ 60M/M
Maximum product weight	3kg
Mass	230kg
Power requirements	AC220V, 50/60Hz, 1.2kVA, 5.5A
Monitor	15" Touch screen
Modification for Bulk type	X

Detection area (unit. mm)



Lay-out

(unit. mm)



Product Contents

FSCAN-4500

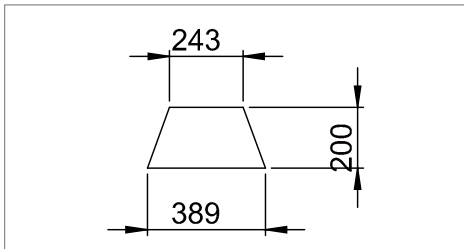


- Sensitivity would be changed depend on inside materials, size and array.
- Operating System : Windows 7
- The height of belt level : 750 ± 50 mm (Customization possible)
- The maximum belt speed can be changed. (option)
- Maximum product weight can be changed. (option)
- The air conditional is optional.

Specification

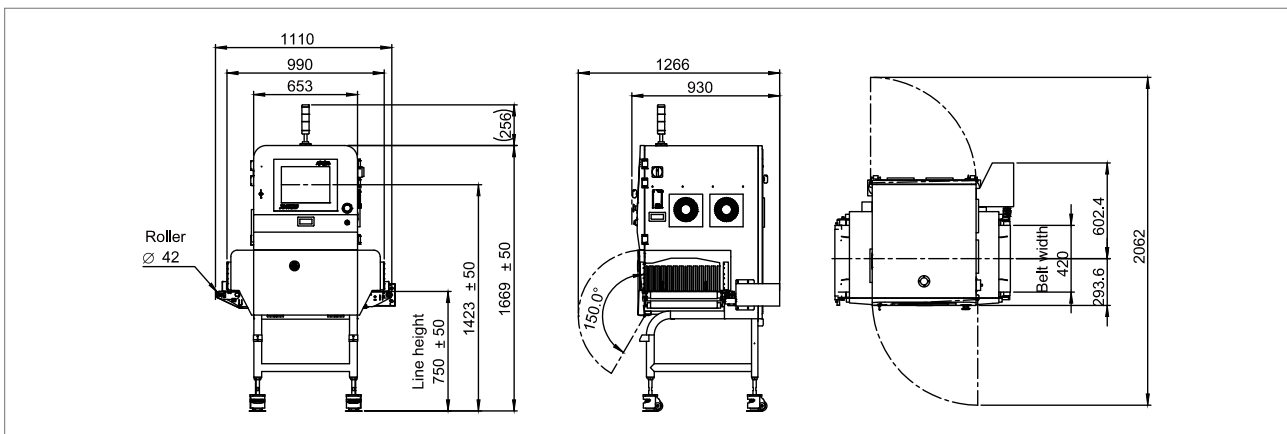
Min. detecting ability	Lead(Pb) 0.3 mm dia
X-ray output	120kV, 4.0mA, 480W
Belt width	420mm
Product size (maximum width)	389mm
Product size (maximum height)	200mm
Belt speed	10 ~ 60M/M
Maximum product weight	10kg
Mass	350kg
Power requirements	AC220V, 50/60Hz, 1.5kVA, 6.8A
Monitor	15" Touch screen
Modification for Bulk type	O

Detection area (unit. mm)



Lay-out

(unit. mm)



Product Contents

FSCAN-6280 / FSCAN-6500

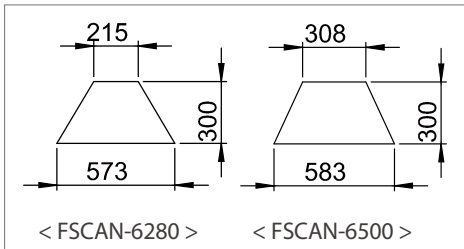


- Sensitivity would be changed depend on inside materials, size and array.
- Operating System : Windows 7
- The height of belt level : 750±50mm (Customization possible)
- The maximum belt speed can be changed. (option)
- Maximum product weight can be changed. (option)
- The air conditional is optional.

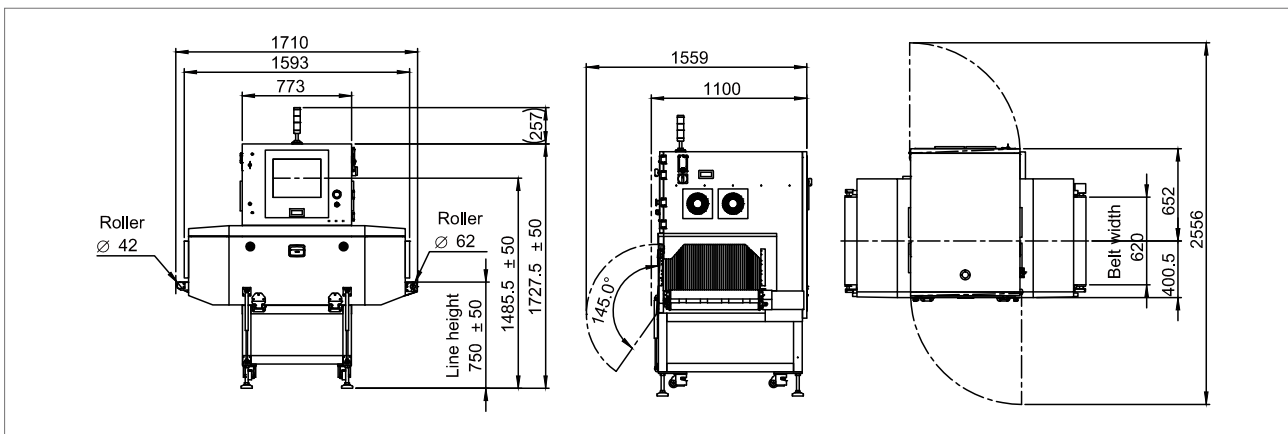
Specification

	FSCAN-6280	FSCAN-6500
Min. detecting ability	Lead(Pb) 0.3 mm dia	
X-ray output	80kV, 1.25mA, 100W	120kV, 4.0mA, 480W
Belt width	620mm	
Product size (maximum width)	573mm	583mm
Product size (maximum height)	300mm	
Belt speed	10 ~ 60M/M	
Maximum product weight	20kg	
Mass	540kg	560kg
Power requirements	AC220V, 50/60Hz, 1.2kVA, 5.5A	AC220V, 50/60Hz, 1.5kVA, 6.8A
Monitor	17" Touch screen	
Modification for Bulk type	O	

Detection area (unit. mm)



Lay-out (unit. mm)



Product Contents

FSCAN-9500

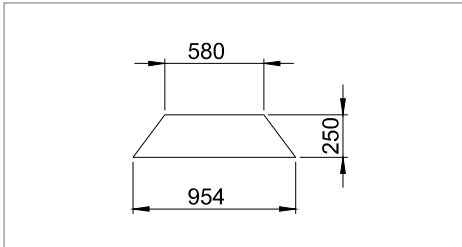


- Sensitivity would be changed depend on inside materials, size and array.
- Operating System : Windows 7
- The height of belt level : 750±50mm (Customization possible)
- The maximum belt speed can be changed. (option)
- Maximum product weight can be changed. (option)
- The air conditional is optional.

Specification

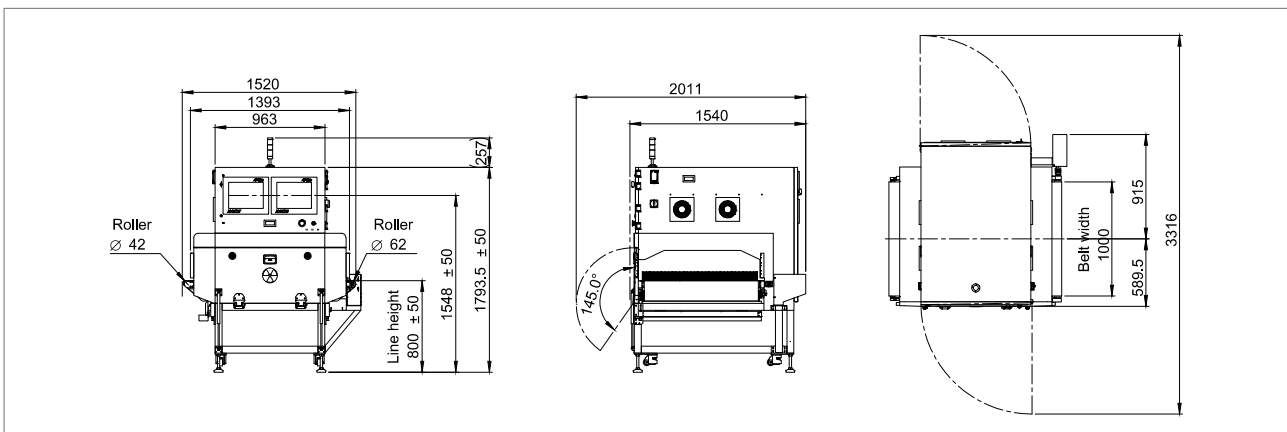
Min. detecting ability	Lead(Pb) 0.3 mm dia
X-ray output	120kV, 4.0mA, 480W
Belt width	1,000mm
Product size (maximum width)	954mm
Product size (maximum height)	250mm
Belt speed	10 ~ 42M/M
Maximum product weight	20kg
Mass	710kg
Power requirements	AC220V, 50/60Hz, 1.5kVA, 6.8A
Monitor	15" Touch screen (2EA)
Modification for Bulk type	O

Detection area (unit. mm)



Lay-out

(unit. mm)



Product Contents

FSCAN-2080PHE

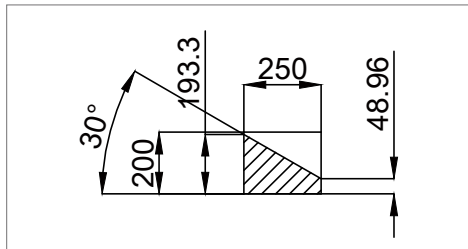


- Sensitivity would be changed depend on inside materials, size and array.
- Operating System : Windows 7
- The height of belt level : 750 ± 50 mm (Customization possible)
- The maximum belt speed can be changed. (option)
- Maximum product weight can be changed. (option)
- The air conditional is optional.

Specification

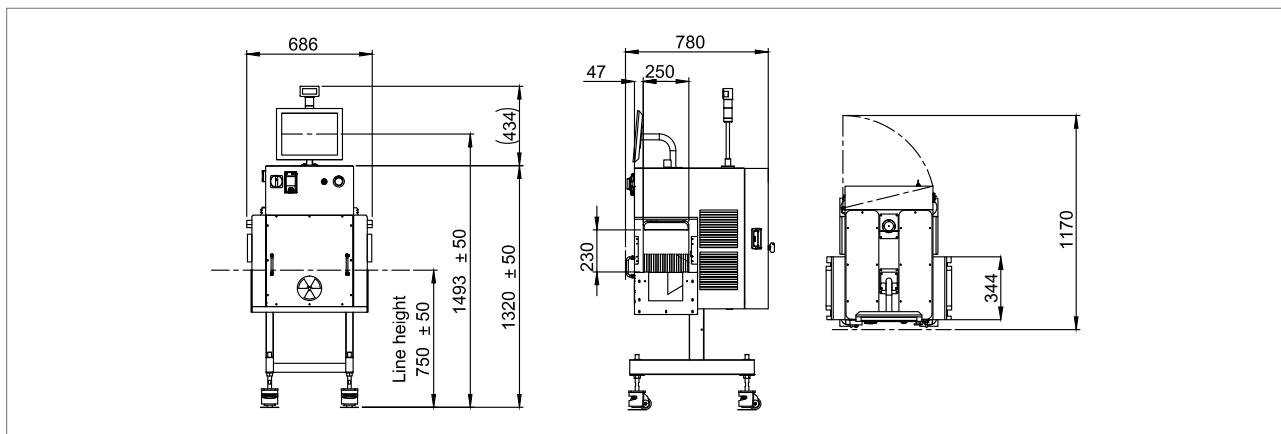
Min. detecting ability	Lead(Pb) 0.3mm dia
X-ray output	80kV, 1.25mA, 100W
Belt width	250mm
Product size (maximum width)	250mm
Product size (maximum height)	200mm
Belt speed	10 ~ 80M/M
Maximum product weight	15kg
Mass	230kg
Power requirements	AC220V, 50/60Hz, 1.2kVA, 5.5A
Monitor	15" Touch screen
Modification for Bulk type	X

Detection area (unit. mm)



Lay-out

(unit. mm)



Product Contents

FSCAN-2500PHE

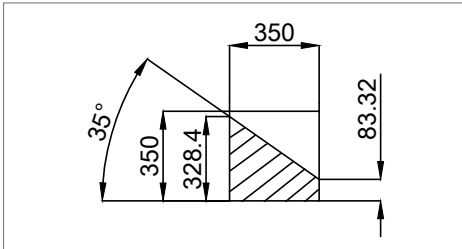


- Sensitivity would be changed depend on inside materials, size and array.
- Operating System : Windows 7
- The height of belt level : 750 ± 50 mm (Customization possible)
- The maximum belt speed can be changed. (option)
- Maximum product weight can be changed. (option)
- The air conditional is optional.

Specification

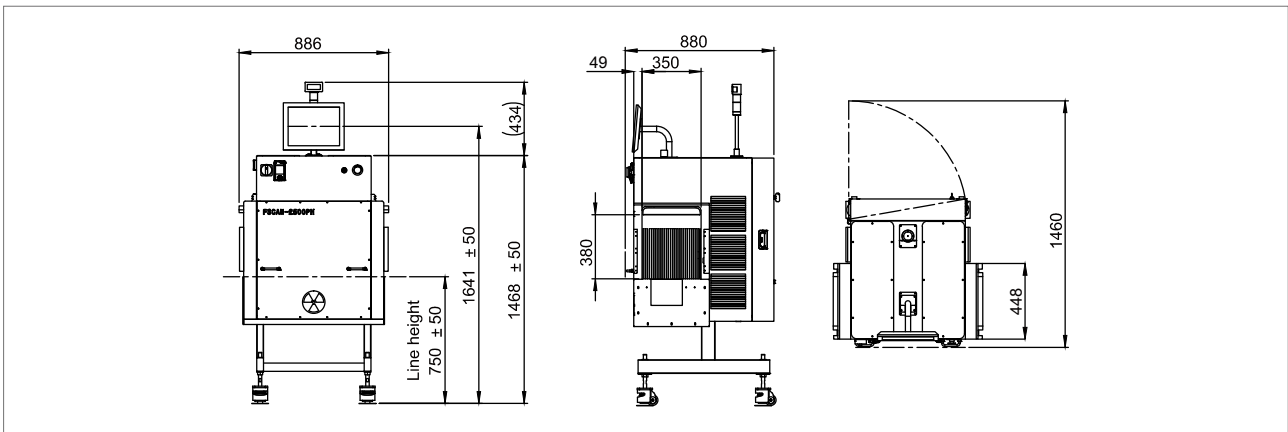
Min. detecting ability	Lead(Pb) 0.3 mm dia
X-ray output	120kV, 4.0mA, 480W
Belt width	350mm
Product size (maximum width)	350mm
Product size (maximum height)	328mm
Belt speed	10 ~ 80M/M
Maximum product weight	15kg
Mass	250kg
Power requirements	AC220V, 50/60Hz, 1.5kVA, 6.8A
Monitor	15" Touch screen
Modification for Bulk type	X

Detection area (unit. mm)



Lay-out

(unit. mm)



Product Contents

FSCAN-4280(B)

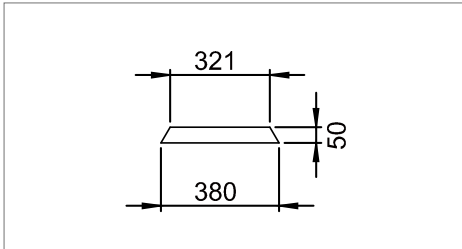


- Sensitivity would be changed depend on inside materials, size and array.
- Operating System : Windows 7
- The height of belt level : 750±50mm (Customization possible)
- The maximum belt speed can be changed. (option)
- Maximum product weight can be changed. (option)
- The air conditional is optional.

Specification

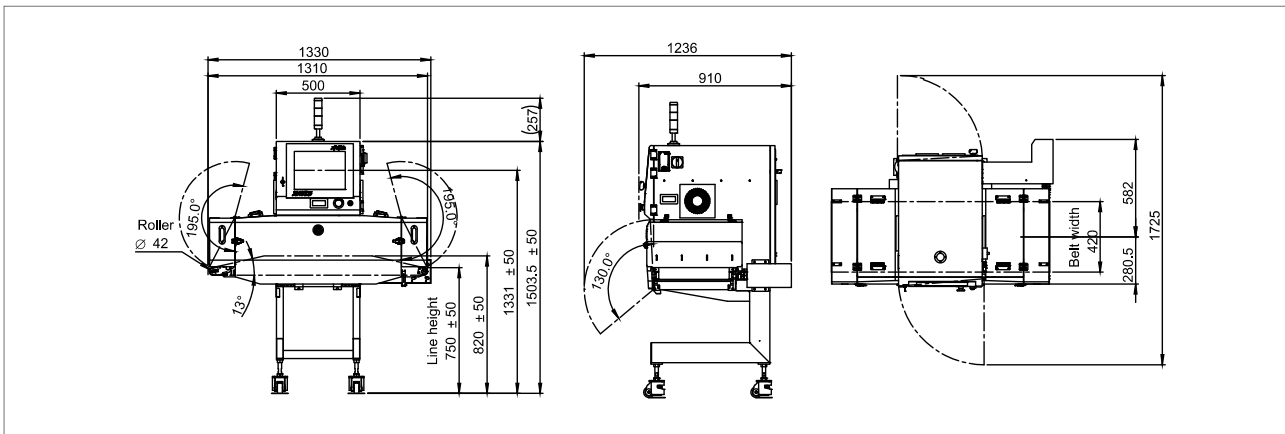
Min. detecting ability	Lead(Pb) 0.15 mm dia
X-ray output	80kV, 1.25mA, 100W
Belt width	420mm
Product size (maximum width)	295mm
Product size (maximum height)	70mm
Belt speed	1 ~ 20M/M
Maximum product weight	5kg
Mass	270kg
Power requirements	AC220V, 50/60Hz, 1.2kVA, 5.5A
Monitor	15" Touch screen
Modification for Bulk type	X

Detection area (unit. mm)



Lay-out

(unit. mm)



Rejector

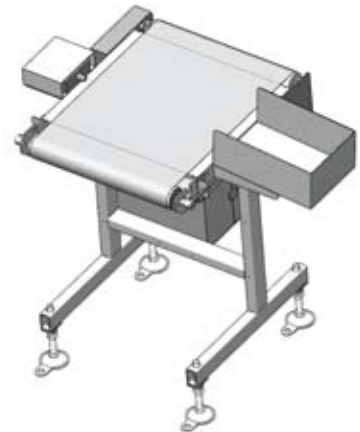
Drop-down



Pusher



Air



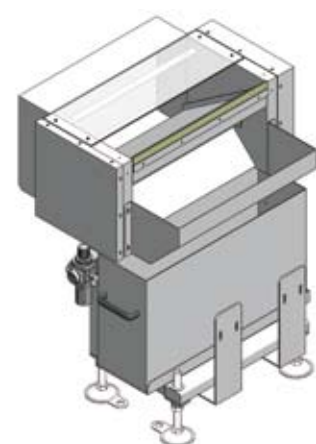
Shuttle



Flip-bar



Chute - For bulk





www.xavis.co.kr



Safe Food



XAVIS

X-ray Automatic Vision Inspection System

Head Office : Room#619 Kumgang-Hitech Valley 1,
(Sangdaewon-dong) 177, Sagimakgol-ro, Jungwon-gu,
Seongnam-si, Gyeonggi-do, 462-724, Korea

3D X-ray R&D Center : Room #601

TEL : +82-31-740-3800 **FAX** : +82-31-740-3802

Http://www.xavis.co.kr **E-mail** : info@xavis.co.kr