



# ASTROPHYSICS™

TOMORROW'S TECHNOLOGY FOR TODAY'S SECURITY



## XIS-100XD

## Low Conveyor for Heavy Object Screening Large Baggage and Parcel Inspection



### TRANSPORTATION

*Airport entrances and perimeters,  
air cargo, and checkpoint technology.*



### PORTS & BORDERS

*Border control, sea ports, and  
other large cargo sectors.*



### CRITICAL INFRASTRUCTURE

*Access control for prisons, courthouses,  
mailrooms, hotel entrances and  
military bases.*

The XIS-100XD is a redesigned 100X with a tunnel size of 100 cm x 100 cm (39.4" x 39.4"). With a repositioned 180kV generator, the XIS-100XD has a low conveyor height of just 30 cm (12"), enabling heavy objects to be easily loaded on and off the conveyor.

Due to its easy loading design, the XIS-100XD has been placed at airports, courthouses, customs facilities and hotels, but is ideal for all heavy parcel inspection.

The XIS-100XD is the epitome of technological innovation for its increased convenience and efficiency. The XIS-100XD offers optimized technology, large tunnel dimensions and minimum inspection time.

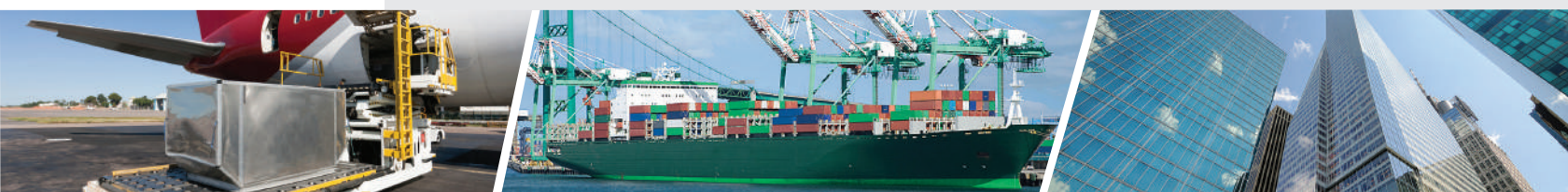
All Astrophysics X-ray Inspection Systems are equipped with Real-Time Diagnostics, a unique Astrophysics feature which allows users to monitor system health. This software was specifically engineered to save you valuable time and money. If requested, Astrophysics would also be able to connect to your system and troubleshoot any issues remotely.

An exclusive Astrophysics option is our 6 Color Imaging, which enables operators to view screened objects in 6 colors, each color correlating to a specific range of Atomic Z-Numbers. 6 Color Imaging enables operators to achieve optimal material identification which improves throughputs.

Astrophysics is committed to providing quality products and services nationwide. We listen to our customers and offer customizations and order flexibility based on their needs.

Backed by a team of engineers from our City of Industry, California center of excellence headquarters, Astrophysics designs cutting-edge X-ray screening technology for detecting weapons and contraband for transportation, ports, borders, critical infrastructure and other industries that present security risks.

Astrophysics is headquartered in the United States and maintains a global presence with service delivery worldwide. Astrophysics is committed to global safety and is proud to present this new age of screening security—driving the industry into the technology of tomorrow.





## GENERAL SPECIFICATIONS

- Tunnel Opening: 100 cm x 100 cm  
(W x H) 39.4" x 39.4"
- Dimensions: 236.7 cm x 127.5 cm x 190.9 cm  
(L x W x H) 93.2" x 50.2" x 75.2"
- Shipping Dimensions: 191 cm x 147.3 cm x 224 cm  
(L x W x H)<sup>2</sup> 75" x 58" x 88"
- Net Weight<sup>2</sup>: 850 kg (1874 lbs)
- Shipping Weight<sup>2</sup>: 1080 kg (2380 lbs)
- Conveyor Speed: 23 cm/s (45 ft/min) Forward or Reverse
- Conveyor Height: 72 cm (28") from Floor
- Conveyor Capacity: 200 kg (440 lbs) Evenly Distributed Load

## TECHNICAL

- Wire Resolution: 40 AWG Typical, 38 AWG Standard
- Spatial Resolution: 1.6 mm Horizontal, 1.6 mm Vertical
- Steel Penetration: 37 mm Typical, 35 mm Standard
- Contrast Sensitivity: 24 Visible Levels, 4096 Gray Level
- Film Safety: Guaranteed up to ISO 1600 (33DIN)

## X-RAY GENERATOR

- Voltage: 180kV, Operating at 165kV
- Tube Current: 1.2 mA
- Cooling: Sealed Di-Electric Oil Bath with Forced Air
- Duty Cycle: 100%, No Warm-Up Procedure Required
- Beam Direction: Vertically Downward
- Detector: 2304 Channels in an L-Shaped Array

## COMPUTER

- Processor: Intel® Core i5, 3.1 GHz, 6MB cache
- Memory: 4 GB RAM at 1333 MHz
- Storage: 500 GB HDD
- Video Card: 1 GB, Dual Digital Display
- Platform: Windows® OS
- Backup: Uninterruptible Power Supply (Computer Operation - 20 Minute)

## VIDEO

- Display Type: Dual 24" LCD Color Monitors
- Display Resolution: 1600 x 1200; 24 Bit/Pixel Color

## ENVIRONMENTAL

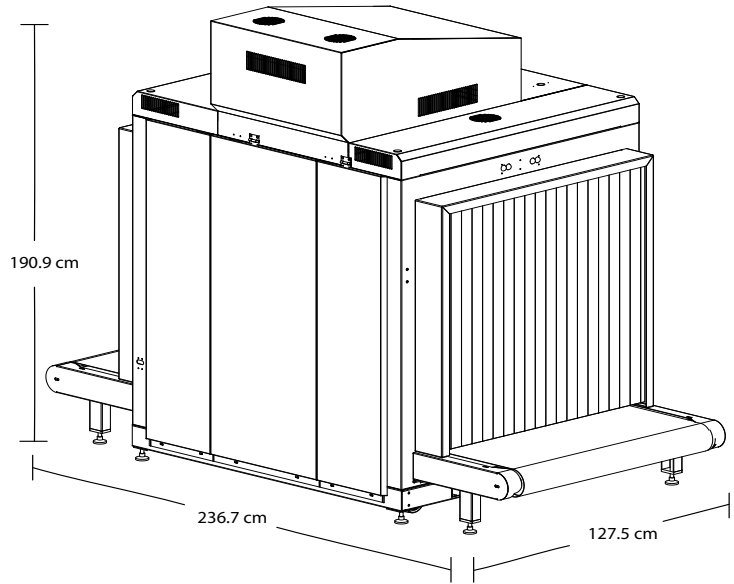
- Operating Temperature: 0°C - 40°C \ 32°F - 104°F
- Storage Temperature: -20°C - 60°C \ -4°F - 140°F
- Humidity: Up to 95% Non-Condensing

## ELECTRICAL

- Power Requirements: 110VAC ± 10%, 50/60Hz, 15 Amp Max  
220VAC ± 10%, 50/60Hz, 10 Amp Max

## HEALTH AND SAFETY

- Compliant with USFDA, Center for Devices and Radiation Health Standards for Cabinet X-Ray Systems (21-CFR 1020.40)
- Typical radiation leakage is less than 0.1 mR/hr (Leakage less than 0.5 mR/hr permitted by the Federal Standard)



## STANDARD FEATURES

- 6 Color Imaging
- 9 Quadrant Zoom
- Atomic Z-Number Measurement
- Auto Image Archiving (150,000)
- Baggage Counter
- Color and Black/ White Imaging
- Continuous Scanning
- Continuous Zoom up to 64x
- Vertical Zoom Panning
- Geometric Image Distortion Correction
- High Penetration Function
- Heavy Duty Roller Casters
- Image Annotation
- Image Review
- Manual Bitmap Archive
- Material Discrimination
- Multi-Tier Accessibility
- Network Ready
- Organic/ Inorganic Imaging
- Operator Training
- Picture Perfect
- Print Image Capable
- Pseudo Color
- Real-Time Image Manipulation
- Real-Time Self Diagnostics
- Reverse Monochrome

## OPTIONAL FEATURES<sup>3</sup>

- Computer Based Training (CBT)
- Custom Paint
- Density Alert
- Entry/ Exit Roller Tables (50 cm Increments)
- Footmat Operator Interlock
- Larger Heavy Duty Casters
- Local Language Support
- Polar Kit
- Radiation Meter
- Remote Workstation Configuration
- Screener Assist Software
- Test Case
- Threat Image Protection (TIP) Software
- Tropical Kit
- Wireless Barcode Scanning



<sup>1</sup> As tested on Astrophysics Inc. Test Piece.

<sup>2</sup> Weight of the system may vary depending on customization.

<sup>3</sup> Optional features may affect lead time price, and weight of XIS-100XD. Please contact your Astrophysics Sales Representative for more information.

Due to continued product research and development, Astrophysics Inc. reserves the right to amend all technical specifications without prior notice.